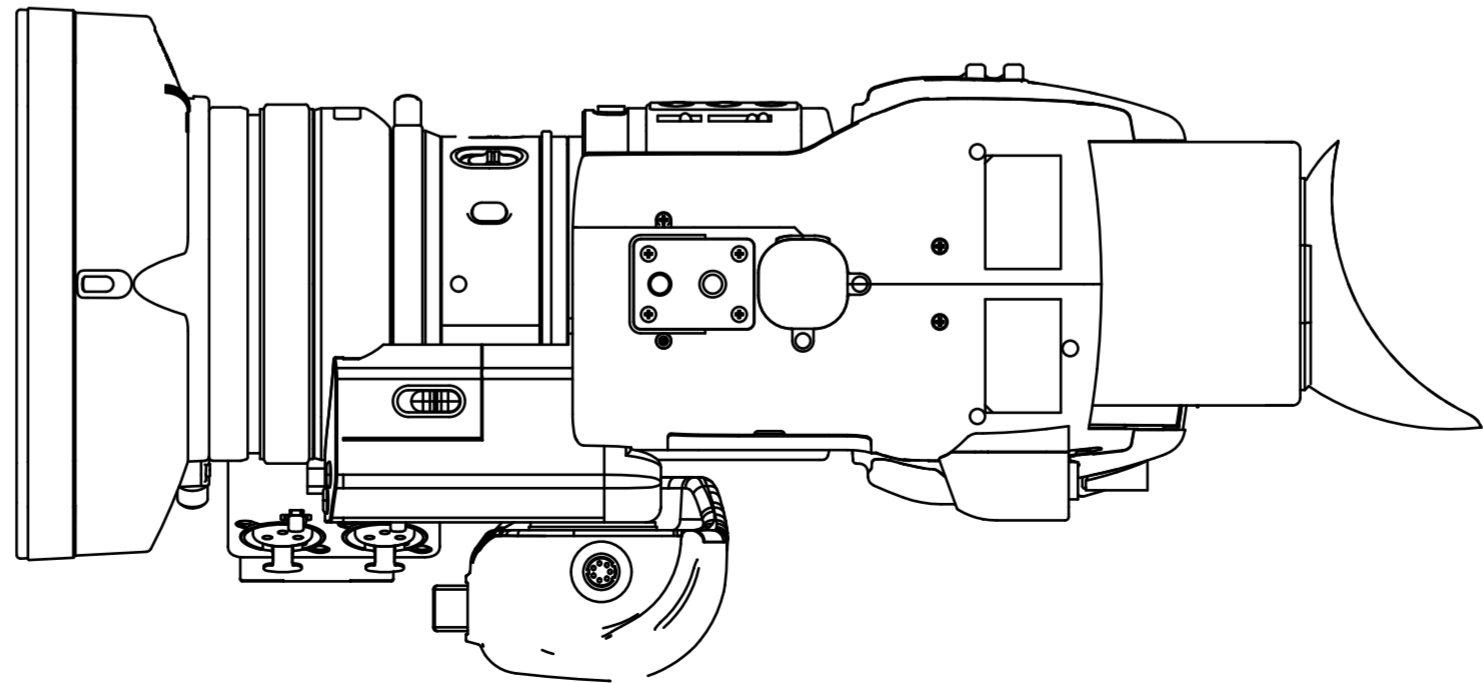
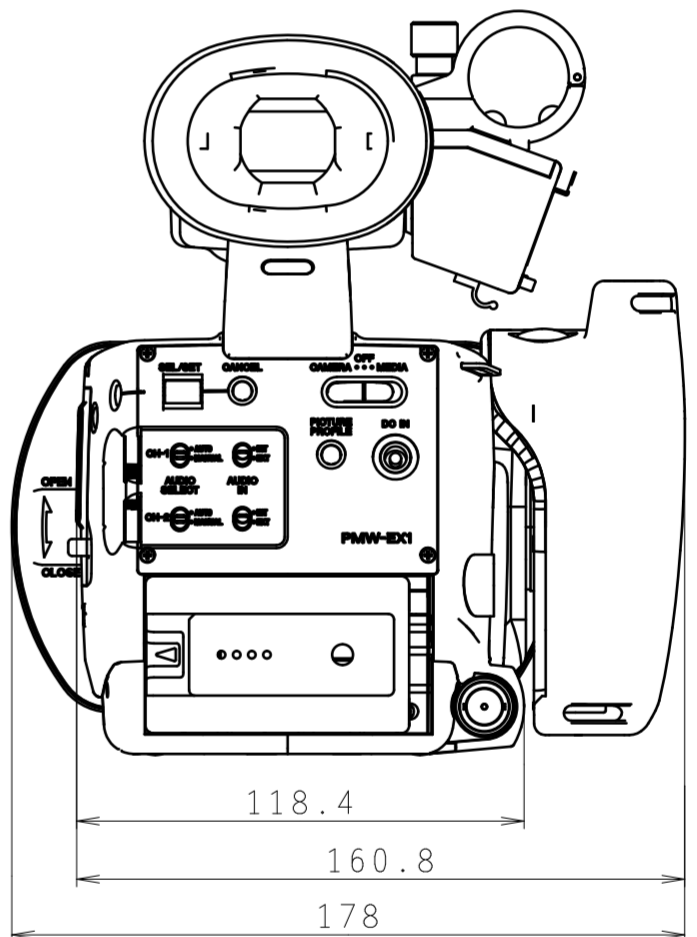
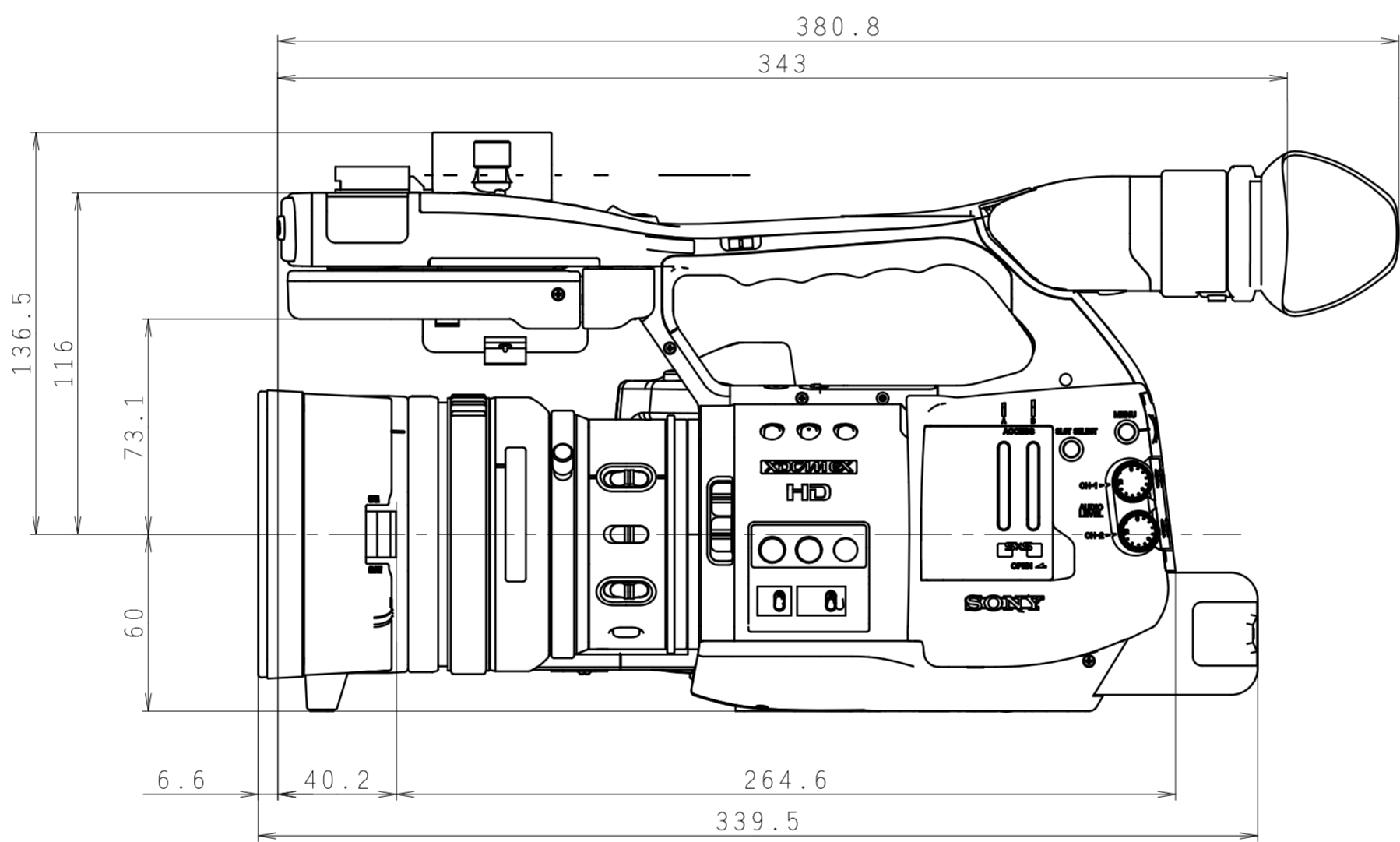
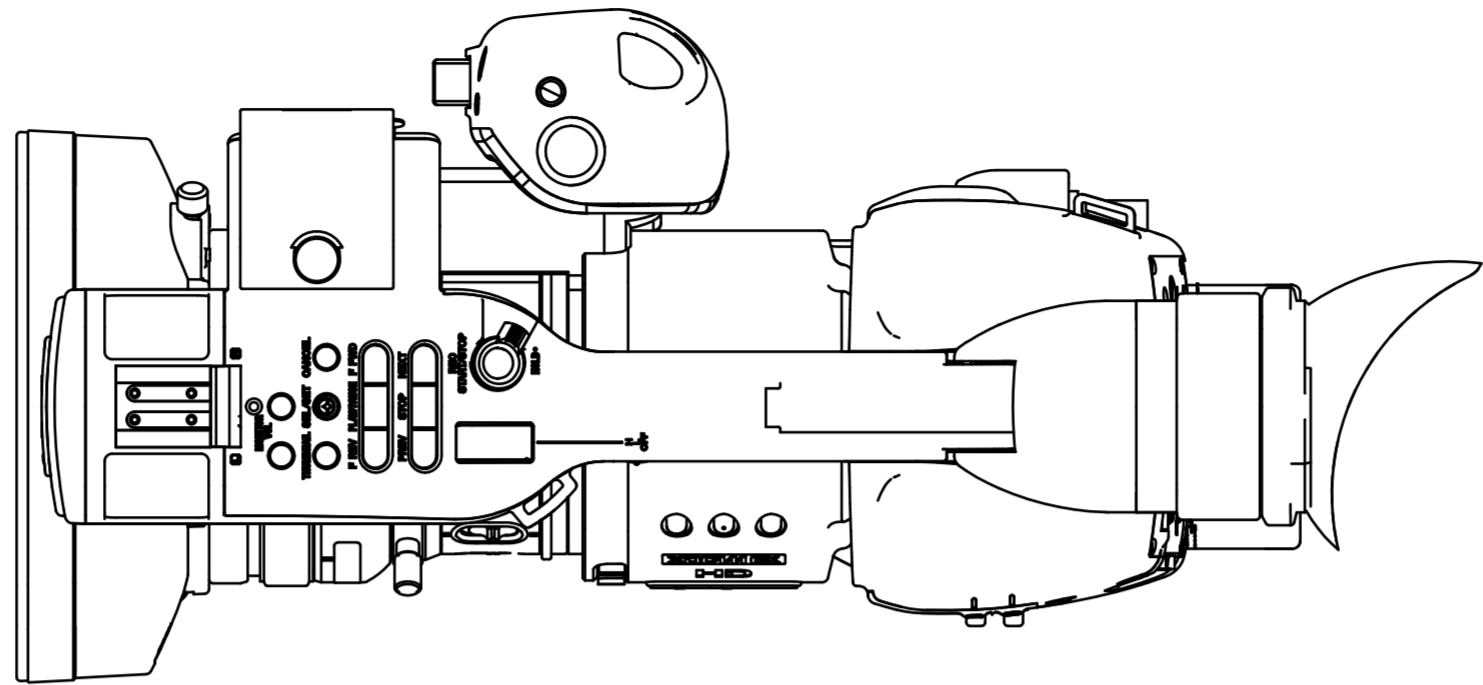
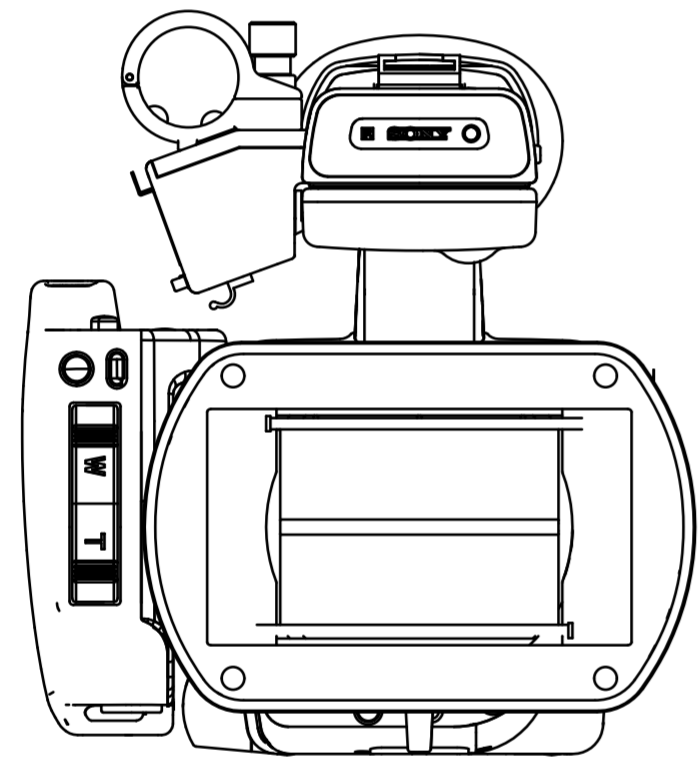


SONY STANDARD '90.10
DRAWING (TYPE D22)



△x					UNIT: mm	TOLERANCE	USED ON	RANK
△x					ANGLE			FAMILY
△x					SCALE			ORIGINAL MODEL
△x					MATERIAL (COLOR)			FINISH (COLOR)
△x					DESCRIPTION			
					(E)			
HISTORY	SUFFIX	ECN - NO.	REVISION		SIGN.			
X COUNT	REPL.	DATE						
DRAWN BY	PLANNED BY	CHECKED BY	APPROVED BY	MODEL				
				TENTATIVE	PART NO.			
					PART NO.			SHEET